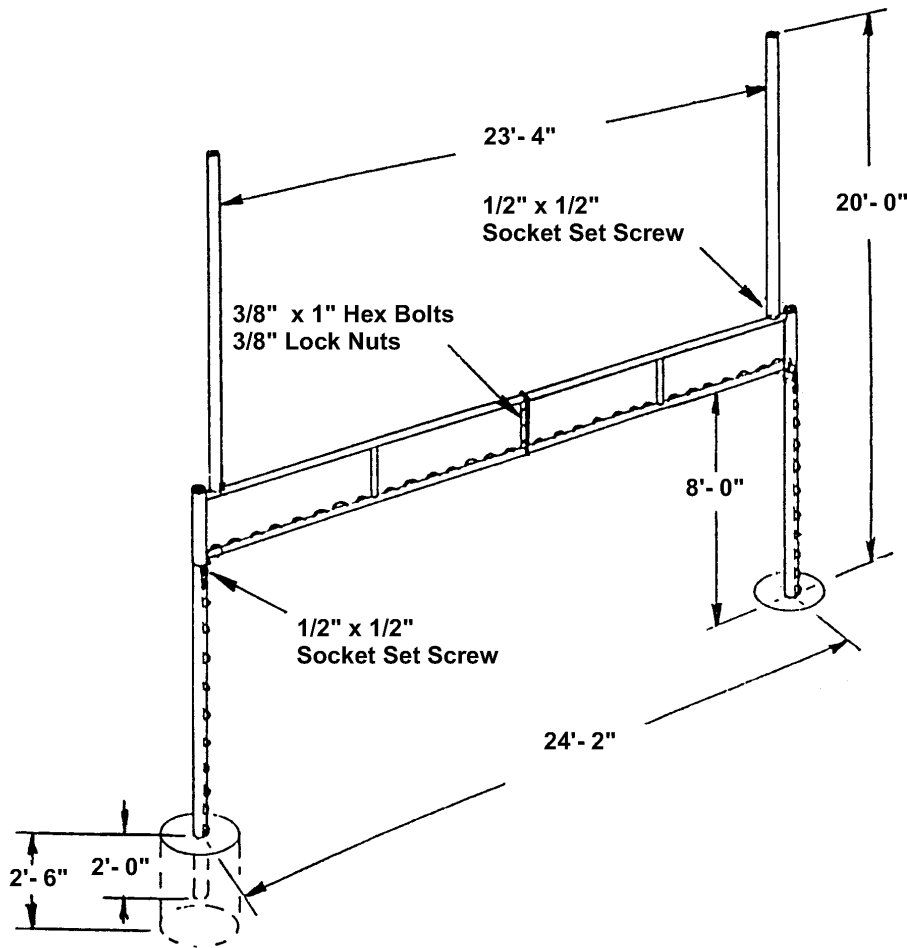


**561-449 Combination Goal - Pair**  
**Football/Soccer**

Page 1  
 Rev. 05/21/08

**IMPORTANT**

PLEASE READ THESE INSTRUCTIONS BEFORE COMMENCING ASSEMBLY. All equipment must be installed in accordance with these instructions. Check your shipment against Bill of Lading and Parts list. Any missing or broken parts must be reported to your distributor within 10 days of receipt of your order. When properly installed and maintained, equipment will give many years of Safe, Trouble-Free use. Periodically check for loose or broken parts. Loose bolts must be tightened and broken parts must be replaced as they can possibly create dangerous situations leading to unnecessary accidents.



**PACKING LIST**

1	CTN	1	Hardware Bag
4	PIPE	1 563-215	Goal Post 2 3/8" x 10'
4	PIPE	1 563-314	Cross Frame
4	WF	1 563-614	Post Support 2 7/8" x 10'

**HARDWARE BAG**

4	105-017	2 3/8" Pipe Plug
16	196-802	1/2" x 1/2" Socket Set Screw
6	116-604	3/8" x 1" Hex Bolt
6	226-601	3/8" Lock Nut
1	416-400	1/4" Socket Key

1 CTN      8 PIPE      4 WF      13 TOTAL PCS      650 # Weight      Class 70

**561-449 Combination Goal - Pair**  
**Football/Soccer**

Page 2  
Rev. 05/21/08

**ASSEMBLY AND INSTALLATION:**

**NOTE:** All threaded ends of bolts protruding beyond nuts must be cut off and/or peened to eliminate sharp edges. No more than two threads should extend beyond face of nut. All washers, "T" nuts, and other fastener hardware used on round pipe or tubing must be hammered down to conform to the curved underlying surface to eliminate catch points.

**DO NOT** tighten nuts more than hand-tight until entire assembly is completed.

STEP #1: Mark and dig footing holes according to directions on Page 1.

STEP #2: Assemble Goal posts on the ground

STEP #3: Pour footings using:

28 - 80lb. Bags Pre-Mix Cement - 7 bags per hole.

Place bricks or old cement chunks below the posts to allow wet cement under the post. Be sure to maintain the height and distance between posts, per diagram on page 1, for each goal post.

Be sure to 'cone' the top of the pour for drainage.

STEP #4: Plumb and level posts.

STEP #5: Brace posts until cement is dry.

NOTES: Wait 48 hours for concrete to harden before using unit.

DO NOT install where overhead electrical wires are present.

**MAINTENANCE INSTRUCTIONS:**

Check periodically for loose bolts, broken parts and replace immediately.